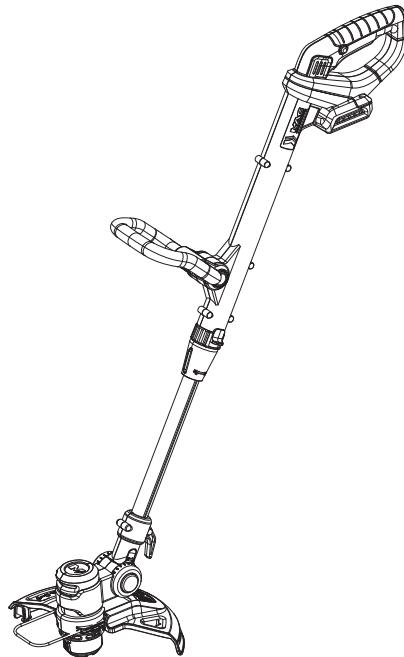




Cordless grass trimmer 18V 25cm SOLO



MGT1825-Li



Let's get started...

These instructions are for your safety. Please read through them thoroughly before use and retain them for future reference.



Getting **started...** 02

Safety information	03
Your product	15
Before you start	16



In more detail... 20

Product functions	21
Operation	25
Care and maintenance	30
Troubleshooting	33
Recycling and disposal	34
Guarantee	35
Technical specifications	37
Declaration of conformity	39

Safety warnings

General safety warnings

1. This appliance can be used by children aged from 8 years and above and persons with reduced physical, sensory or mental capabilities or lack of experience and knowledge if they have been given supervision or instruction concerning use of the appliance in a safe way and understand the hazards involved.
2. Children shall not play with the appliance.
3. Cleaning and user maintenance shall not be made by children without supervision.

General power tool safety warnings



WARNING! Read all safety warnings, instructions, illustrations and specifications provided with this power tool. *Failure to follow all instructions listed below may result in electric shock, fire and/or serious injury.*

Save all warnings and instructions for future reference.

The term “power tool” in the warnings refers to your mains-operated (corded) power tool or battery-operated (cordless) power tool.

Work area safety

1. **Keep work area clean and well lit.** *Cluttered or dark areas invite accidents.*
2. **Do not operate power tools in explosive atmospheres, such as in the presence of flammable liquids, gases or dust.** *Power tools create sparks which may ignite the dust or fumes.*
3. **Keep children and bystanders away while operating a power tool.** *Distractions can cause you to lose control.*

Safety warnings

Electrical safety

- 1. Power tool plugs must match the outlet. Never modify the plug in any way. Do not use any adapter plugs with earthed (grounded) power tools. *Unmodified plugs and matching outlets will reduce risk of electric shock.***
- 2. Avoid body contact with earthed or grounded surfaces, such as pipes, radiators, ranges and refrigerators. *There is an increased risk of electric shock if your body is earthed or grounded.***
- 3. Do not expose power tools to rain or wet conditions. *Water entering a power tool will increase the risk of electric shock.***
- 4. Do not abuse the cord. Never use the cord for carrying, pulling or unplugging the power tool. Keep cord away from heat, oil, sharp edges or moving parts. *Damaged or entangled cords increase the risk of electric shock.***
- 5. When operating a power tool outdoors, use an extension cord suitable for outdoor use. *Use of a cord suitable for outdoor use reduces the risk of electric shock.***
- 6. If operating a power tool in a damp location is unavoidable, use a residual current device (RCD) protected supply. *Use of an RCD reduces the risk of electric shock.***

Personal safety

- 1. Stay alert, watch what you are doing and use common sense when operating a power tool. Do not use a power tool while you are tired or under the influence of drugs, alcohol or medication. *A moment of inattention while operating power tools may result in serious personal injury.***

2. **Use personal protective equipment. Always wear eye protection.** *Protective equipment such as dust mask, non-skid safety shoes, hard hat, or hearing protection used for appropriate conditions will reduce personal injuries.*
3. **Prevent unintentional starting. Ensure the switch is in the off-position before connecting to power source and/or battery pack, picking up or carrying the tool.** *Carrying power tools with your finger on the switch or energising power tools that have the switch on invites accidents.*
4. **Remove any adjusting key or wrench before turning the power tool on.** *A wrench or a key left attached to a rotating part of the power tool may result in personal injury.*
5. **Do not overreach. Keep proper footing and balance at all times.** *This enables better control of the power tool in unexpected situations.*
6. **Dress properly. Do not wear loose clothing or jewellery. Keep your hair and clothing away from moving parts.** *Loose clothes, jewellery or long hair can be caught in moving parts.*
7. **If devices are provided for the connection of dust extraction and collection facilities, ensure these are connected and properly used.** *Use of dust collection can reduce dust-related hazards.*
8. **Do not let familiarity gained from frequent use of tools allow you to become complacent and ignore tool safety principles.** *A careless action can cause severe injury within a fraction of a second.*

Safety warnings

Power tool use and care

1. **Do not force the power tool. Use the correct power tool for your application.** *The correct power tool will do the job better and safer at the rate for which it was designed.*
2. **Do not use the power tool if the switch does not turn it on and off.** *Any power tool that cannot be controlled with the switch is dangerous and must be repaired.*
3. **Disconnect the plug from the power source and/or remove the battery pack, if detachable, from the power tool before making any adjustments, changing accessories, or storing power tools.** *Such preventive safety measures reduce the risk of starting the power tool accidentally.*
4. **Store idle power tools out of the reach of children and do not allow persons unfamiliar with the power tool or these instructions to operate the power tool.** *Power tools are dangerous in the hands of untrained users.*
5. **Maintain power tools. Check for misalignment or binding of moving parts, breakage of parts and any other condition that may affect the power tool's operation. If damaged, have the power tool repaired before use.** *Many accidents are caused by poorly maintained power tools.*
6. **Keep cutting tools sharp and clean.** *Properly maintained cutting tools with sharp cutting edges are less likely to bind and are easier to control.*

7. **Use the power tool, accessories and tool bits etc. in accordance with these instructions, taking into account the working conditions and the work to be performed.** *Use of the power tool for operations different from those intended could result in a hazardous situation.*
8. **Keep handles and grasping surfaces dry, clean and free from oil and grease.** *Slippery handles and grasping surfaces do not allow for safe handling and control of the tool in unexpected situations.*

Battery tool use and care

1. **Recharge only with the charger specified by the manufacturer.** *A charger that is suitable for one type of battery pack may create a risk of fire when used with another battery pack.*
2. **Use power tools only with specifically designated battery packs.** *Use of any other battery packs may create a risk of injury and fire.*
3. **When battery pack is not in use, keep it away from other metal objects, like paper clips, coins, keys, nails, screws or other small metal objects that can make a connection from one terminal to another.** *Shorting the battery terminals together may cause burns or a fire.*
4. **Under abusive conditions, liquid may be ejected from the battery; avoid contact. If contact accidentally occurs, flush with water. If liquid contacts eyes, additionally seek medical help.** *Liquid ejected from the battery may cause irritation or burns.*
5. **Do not use battery pack or tool that is damaged or modified.** *Damaged or modified batteries may exhibit unpredictable behaviour resulting in fire, explosion or risk of injury.*

Safety warnings

6. **Do not expose a battery pack or tool to fire or excessive temperature.** *Exposure to fire or temperature above 130 °C may cause explosion.*
7. **Follow all charging instructions and do not charge the battery pack or tool outside the temperature range specified in the instructions.** *Charging improperly or at temperatures outside the specified range may damage the battery and increase the risk of fire.*

Service

1. **Have your power tools serviced by a qualified repair person using only identical replacement parts.** *This will ensure that safety of the power tool is maintained.*
2. **Never service damaged battery packs.** *Service of battery packs should only be performed by the manufacturer or authorized service providers.*

Electrically powered grass trimmer safety warnings

IMPORTANT

READ CAREFULLY BEFORE USE

KEEP FOR FUTURE REFERENCE

Training

1. Read the instructions carefully. Be familiar with the controls and the proper use of the product.
2. Never allow children, persons with reduced physical, sensory or mental capabilities or lack of experience and knowledge or people unfamiliar with these instructions to use the product. Local regulations may restrict the age of the operator.
3. Keep in mind that the operator or user is responsible for accidents or hazards occurring to other people or their property.

Preparation

1. Before use check the supply and extension cord for signs of damage or aging. If the cord becomes damaged during use, disconnect the cord from the supply immediately. **DO NOT TOUCH THE CORD BEFORE DISCONNECTING THE SUPPLY.** Do not use the machine if the cord is damaged or worn.
2. Before use, always visually inspect the machine for damaged, missing or misplaced guards or shields.
3. Never operate the machine while people, especially children, or pets are nearby.

Operation

1. Keep supply and extension cords away from cutting means.
2. Wear eye protection and stout shoes at all times while operating the machine.
3. Avoid using the machine in bad weather conditions especially when there is a risk of lightning.
4. Use the machine only in daylight or good artificial light.
5. Never operate the machine with damaged guards or shields or without guards or shields in place.
6. Switch on the motor only when the hands and feet are away from the cutting means.
7. Always disconnect the machine from the power supply (i.e. remove the plug from the mains, remove the disabling device or removable battery)
 - 1) whenever the machine is left unattended;
 - 2) before clearing a blockage;
 - 3) before checking, cleaning or working on the machine;
 - 4) after striking a foreign object;
 - 5) whenever the machine starts vibrating abnormally.
8. Take care against injury to feet and hands from the cutting means.

Safety warnings

9. Always ensure that the ventilation openings are kept clear of debris.

Maintenance and storage

1. Disconnect the machine from the power supply (i.e. remove the plug from the mains, remove the disabling device or removable battery) before carrying out maintenance or cleaning work.
2. Use only the manufacturer's recommended replacement parts and accessories.
3. Inspect and maintain the machine regularly. Have the machine repaired only by an authorized repairer.
4. When not in use, store the machine out of the reach of children.

Additional safety warnings for battery pack

1. **Battery pack needs to be charged before use.**
Always refer to the charger's instruction and charge it properly.
2. **Remove the battery pack from the product when not in use.**
3. **Don't maintain the battery pack on the charger when not in use.**
4. **After extended periods of storage, it may be necessary to charge and discharge the battery pack several times to obtain the maximum performance.**
5. **Longer life and better performance can be obtained if the battery is charged when the air temperature is between 18 °C and 24 °C. Do not charge the battery in air temperature below 5 °C or above 40 °C. This is important as it can prevent serious damage to the battery.**

6. **Do not charge battery in a damp or wet location.**
Following this rule will reduce the risk of electric shock.
7. **Do not disassemble the battery and avoid mechanical damage to the battery. Risk of short circuit and fumes may be emitted.** *Ensure fresh air and seek medical assistance in the event of discomfort.*
8. **When disposing of battery pack, keep the battery pack of different electrochemical systems separate from each other.**

Vibration and noise reduction

To reduce the impact of noise and vibration emission, limit the time of operation, use low-vibration and low-noise operating modes as well as wear personal protective equipment.

Take the following points into account to minimise the vibration and noise exposure risks:

1. Only use the product as intended by its design and these instructions.
2. Ensure that the product is in good condition and well maintained.
3. Use correct attachments for the product and ensure they are in good condition.
4. Keep tight grip on the handles/grip surface.
5. Maintain this product in accordance with these instructions and keep it well lubricated (where appropriate).
6. Plan your work schedule to spread any high vibration tool use across a longer period of time.
7. Prolonged use of the product exposes the user to vibrations that can cause a range of conditions collectively known as hand-arm vibration syndrome (HAVS) e.g. fingers going white; as well as specific diseases such as carpal tunnel syndrome. To reduce this risk when using the product, always wear protective gloves and keep your hands warm.

Safety warnings

Emergency

Familiarise yourself with the use of this product by means of this instruction manual. Memorise the safety directions and follow them to the letter. This will help to prevent risks and hazards.

- 1. Always be alert when using this product, so that you can recognise and handle risks early. *Fast intervention can prevent serious injury and damage to property.***
- 2. Switch the product off and disconnect from the power supply if there are malfunctions. *Have the product checked by a qualified professional and repaired, if necessary, before you operate it again.***

Residual risks

Even if you are operating this product in accordance with all the safety requirements, potential risks of injury and damage remain. The following dangers can arise in connection with the structure and design of this product:

- 1. Health defects resulting from vibration emission if the product is being used over long periods of time or not adequately managed and properly maintained.**
- 2. Injuries and damage to property due to broken attachments or the sudden impact of hidden objects during use.**
- 3. Danger of injury and property damage caused by flying objects.**



WARNING! This product produces an electromagnetic field during operation! This field may under some circumstances interfere with active or passive medical implants! To reduce the risk of serious or fatal injury, we recommend persons with medical implants to consult their doctor and the medical implant manufacturer before operating this product!

Symbols

On the product, the rating label and within these instructions you will find among others the following symbols and abbreviations. Familiarise yourself with them to reduce hazards like personal injuries and damage to property.

V \equiv	Volt, (alternating voltage)	mAh	Milliampere per hour
/min or min^{-1}	Per minute	$^{\circ}\text{C}$	Degree Celsius
g	Gram	kg	Kilogram
mm	Millimetre	m	Metre
cm	Centimeter	m/s^2	Metres per second squared
dB(A)	Decibel (A-rated)		
	Lock / to tighten or secure.		Unlock / to loosen.
	Read the instruction manual.		Note / Remark.
			Caution / Warning.
xxWyy	Manufacturing date code; year of manufacturing (20xx) and week of manufacturing (Wyy)		
	Wear hearing protection.		Wear eye protection.
	Wear a dust mask.		Wear protective gloves.
	Wear protective, slip-resistant footwear.		

Symbols



Wear tight-fitted protective clothes.



Switch the product off and remove battery pack before assembly, cleaning, adjustments, maintenance, storage and transportation.



This product is of protection class III.



Do not expose the product to rain or wet conditions (moisture).



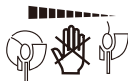
Objects thrown by the product could hit the user or other bystanders. Always ensure that other people and pets remain at a safe distance from the product when it is in operation. In general, children must not come near the area where the product is.



Inspect the area where the product is to be used and remove all objects which can be thrown by the product. If objects are hidden while operating stop the motor and remove the object.



Keep other people out of working area during operation. A distance of at least 15 m must be observed.



Contact of the guide bar tip with any object should be avoided.



Guaranteed sound power level value in 91 dB.



WEEE symbol. Waste electrical products should not be disposed of with household waste. Please recycle where facilities exist. Check with your Local Authority or local store for recycling advice.



Crossed out dust bin. Batteries and battery packs should not be disposed of with household waste. Please recycle where facilities exist. Check with your Local Authority or local store for recycling advice.



Do not dispose of battery packs in rivers or immerse in water.



Do not dispose of battery packs in fire. They will explode and cause injury.



Do not expose battery packs to heat in excess of 40 °C. Do not charge or store the battery pack in temperatures below 5 °C (41 °F) and above 40 °C (104°F).

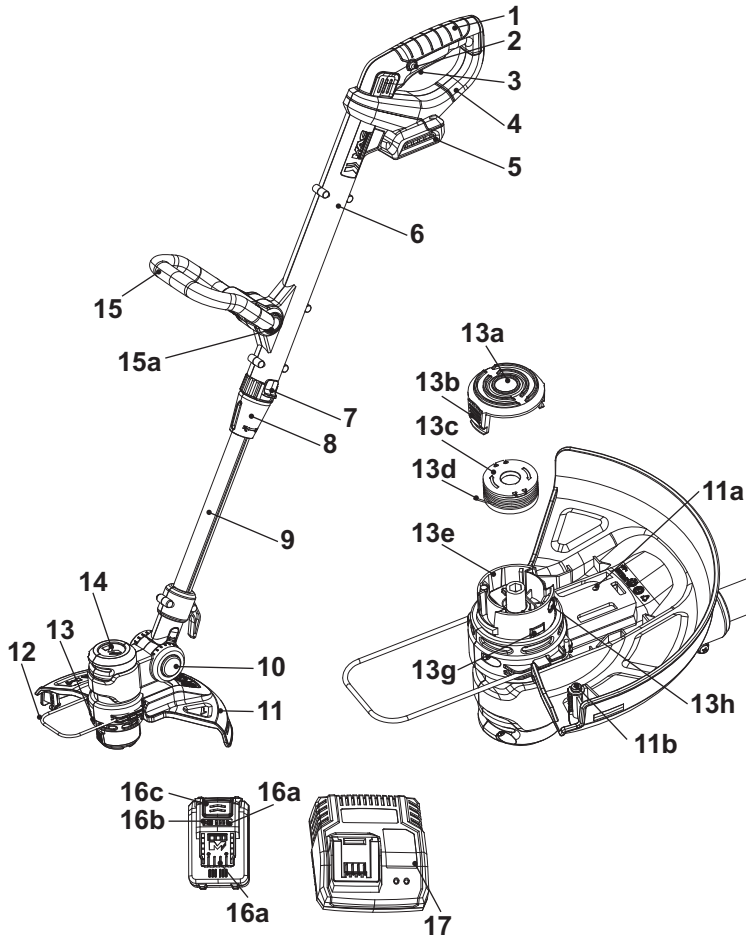


The product complies with the applicable European directives and an evaluation method of conformity for these directives was done.



UK Conformity Assessed.

Your product



Your product

- | | | |
|---|-----------------------|--------------------------------|
| 1. Main handle | b. Indication line* | g. Release push button |
| 2. Lock-off button | 11. Guard | h. Eyelet |
| 3. On/off switch | a. Screw | i. Screw hole* |
| 4. Rear safeguard | b. Knife | 14. Motor housing |
| 5. Battery docking port | c. Screw hole* | 15. Auxiliary handle |
| 6. Upper pole | d. Knife protector* | a. Lock button |
| 7. Unlock button for angle adjustment | 12. Plant protector | 16. Battery pack |
| 8. Locking sleeve for length adjustment | 13. Trimmer head | a. Battery capacity indicators |
| 9. Lower pole | a. Cover | b. Battery capacity button |
| 10. Unlock button for tilt adjustment | b. Release latch (x2) | c. Release button |
| a. Indicator* | c. Trimming spool | 17. Charger |
| | d. Trimming line | |
| | e. Housing | |
| | f. Sliding slot (x2)* | |



NOTE: Parts marked with * are not shown in this overview. Please refer to the respective part in the instruction manual.

Unpacking

1. Unpack all parts and lay them on a flat, stable surface.
2. Remove all packing materials and shipping devices if applicable.
3. Make sure the delivery contents are complete and free of any damage. If you find that parts are missing or show damage do not use the product but contact your dealer. Using an incomplete or damaged product represents a hazard to people and property.
4. Ensure that you have all the accessories and tools needed for assembly and operation. This also includes suitable personal protective equipment.



WARNING! The product and the packaging are not children's toys! Children must not play with plastic bags, sheets and small parts! There is a danger of choking and suffocation!

You will need

(items not supplied)

Suitable personal protective equipment

Suitable crosshead screwdriver

(items supplied)

Guard (11)

Battery pack (16)

Charger (17) and its manual



NOTE: The accessories required depend on the intended application. Ask your dealer for advice.

Setup



WARNING! The product must be fully assembled before operation! Do not use a product that is only partly assembled or assembled with damaged parts! Follow the assembly instructions step-by-step and use the pictures provided as a visual guide to easily assemble the product! Do not connect the product to battery pack (16) before it is completely assembled!



NOTE: Take care of small parts that are removed during assembly or when making adjustments. Keep them secure to avoid loss.

Guard

1. Turn the trimmer head (13) upside down.
2. Untighten the screw (11a) and keep it handy.
3. Put out the plant protector (12) firstly (Fig. 1, step 1), then align and slide the guard (11) onto the sliding slots (13f) of the trimmer head (13) (Fig. 1, step 2). Fully insert the guard (11) and make sure that the screw holes (11c, 13i) are well aligned.
4. Secure the guard (11) with the screw (11a) in clockwise (Fig. 1, step 3).

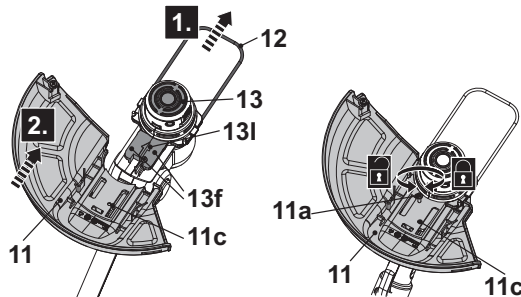


Fig. 1

Setup



WARNING! Never use the trimmer head (13) without the guard (11) properly fitted.



NOTE: Always remove knife protection (11d) before use.

Battery pack

Attaching / releasing the battery pack

1. Align the battery pack (16) with the sliding slots of the battery docking port (5) under the rear safeguard (4) and slide the battery pack in to attach it. Ensure it clicks in place (Fig. 2).
2. Press the release button (16c) and remove the battery pack (16) from the battery docking port (5) (Fig. 3).

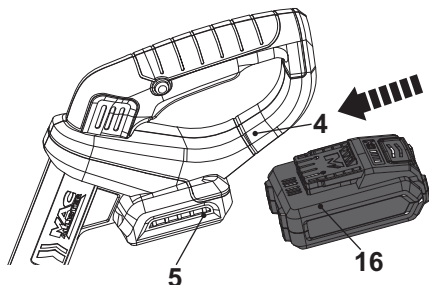


Fig. 2

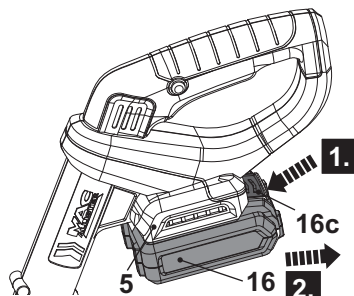


Fig. 3

Charging the battery pack

The battery pack (16) for this product has been shipped in a low charge condition. Charge it fully before first use.

Refer to the charger's instruction manual (MC18) for the details.

Battery capacity indicators

The battery pack (16) is equipped with the battery capacity indicators (16a) which are used to give an indication of the battery pack's remaining capacity. Press the battery capacity button (16b) to check battery capacity (Fig. 4). The LEDs will stay lit for approximately 5 seconds.

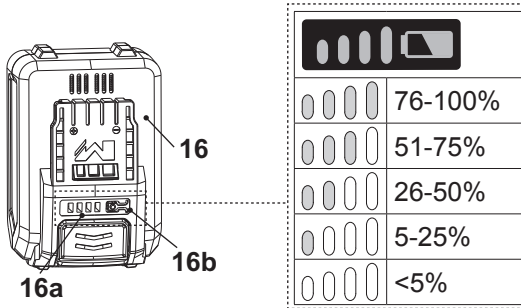


Fig. 4

In more detail...



Product functions	19
Operation	23
Care and maintenance	28
Troubleshooting	33
Recycling and disposal	34
Guarantee	35
Technical specifications	37
Declaration of conformity	39



Intended use

This cordless grass trimmer MGT1825-Li is designated with a rated voltage of 18 V --- . It is designed only to be used with the battery pack which is listed in the chapter of “Technical specifications”.

The product is intended for cutting weed, grass or similar soft vegetation in areas that are hard to reach, e. g. under bushes, on slopes and edges. It may not be used to work on unusual thick, dry or wet grass, e. g. pasture grass, or to shred leaves.

For safety reasons it is essential to read the entire instruction manual before first operation and to observe all the instructions therein.

This product is intended for private domestic use only, not for any commercial trade use. It must not be used for any purposes other than those described.

Auxiliary handle adjustment

Adjust the angle of the auxiliary handle (15) to fit the intended application.

1. Press down the lock button (15a) and hold it in position, then rotate the auxiliary handle (15) upward or downward to adjust the angle (Fig. 5).

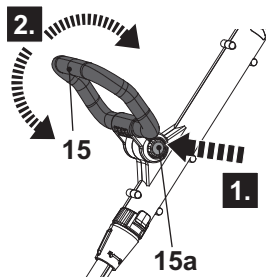


Fig. 5

2. Release the lock button (15a), and continue to gently swing the auxiliary handle (15) until it locks in place. Ensure the tooth system locks in place.

Auxiliary handle adjustment

Adjust the pole length to fit the body height.

1. Loosen the locking sleeve (8) in clockwise (Fig. 6, step 1).
2. Pull the lower pole (9) out or push it together to adjust the desired length (Fig. 9, step 2).
3. Tighten the locking sleeve (8) in anticlockwise (Fig. 6, step 3).

Length adjustment

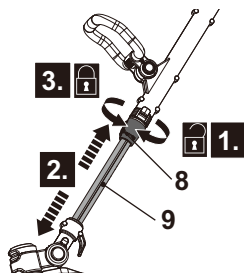


Fig. 6

Main handle angle adjustment

Adjust the main handle (1) to either 0° for trimming or 90° / 180° for edging.

1. Slide the unlock button (7) downward and turn the main handle (1) clockwise while holding lower pole (9) to adjust the trimmer head (13) to an angle of 90° or 180° (Fig. 7). Release the unlock button (7) and keep turning the main handle (1) until it locks in place. Ensure the unlock button (7) snaps into place.
2. Slide the unlock button (7) downward and turn the main handle (1) anticlockwise while holding lower pole (9) to adjust the trimmer head (13) to an angle of 0° (Fig. 8, A, B). Release the unlock button (7) and keep turning the main handle (1) until it locks in place. Ensure the unlock button (7) snaps into place.

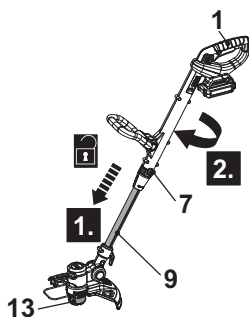


Fig. 7
(initial position 0°)

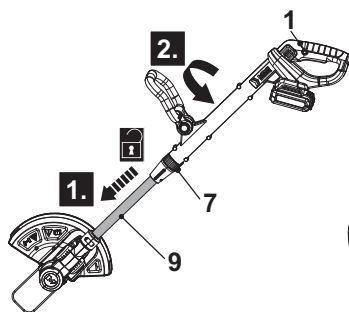


Fig. 8 A
(initial position 90°)

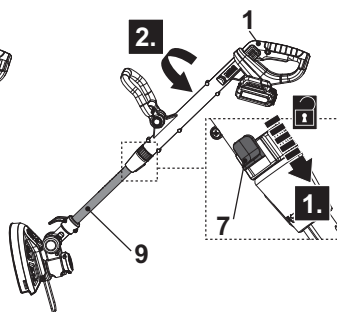


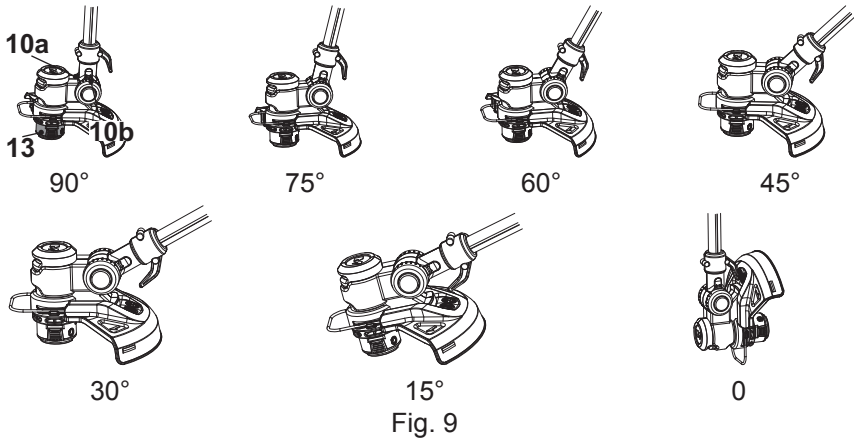
Fig. 8 B
(initial position 180°)



WARNING! Always ensure that the unlock button (7) snaps into place after adjusting the main handle in one of the end positions! Never adjust to an intermediate position!

Trimmer head tilt adjustment

Tilt the angle of trimmer head (13) to fit the ground conditions for trimming or edging use by aligning the indicator (10a) with the indication line (10b) (Fig. 9).



1. Press the unlock button (10) and hold it in position.
2. Move the lower pole (9) slightly up or downward (Fig. 10).
3. Release the unlock button (10) and keep moving the lower pole (9) until it locks in place.

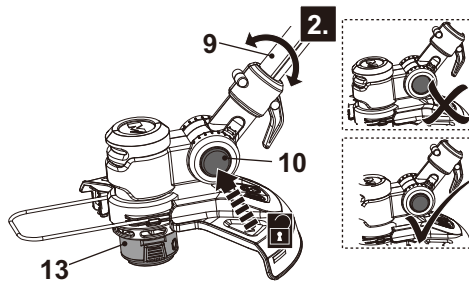


Fig. 10



WARNING! Always ensure that the unlock button (10) snaps into place after adjusting the trimmer head (13) in one of the required positions! Never adjust to an intermediate position!

Plant protector

Use the plant protector (12) to keep distance to obstacles that could be hit by the cutting device.



WARNING! Adjust the plant protector position only when the product is switched off and the cutting device is at a complete stop!

1. Pull the plant protector (12) out until it locks in place for trimming / edging operation (Fig. 11).

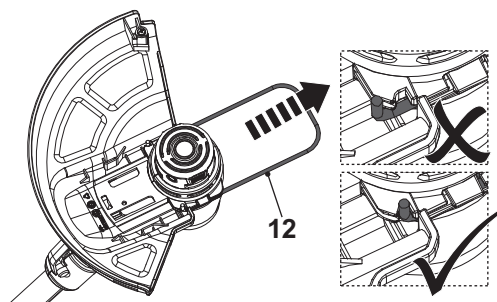


Fig. 11, trimming / edging position

2. Push the plant protector (12) in for transport and storage (Fig. 12).

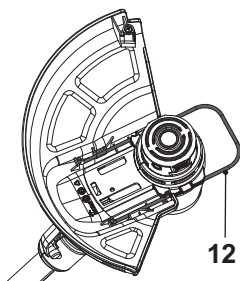


Fig. 12, storage position

Guard

The guard (11) protects the operator against thrown objects during operation. It is equipped with a knife (11b) that cuts the trimming line (13d) (Fig. 13).

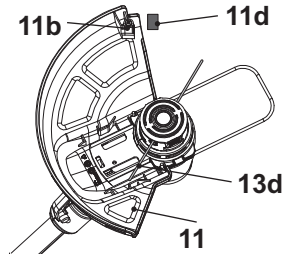


Fig. 13



NOTE: Always remove knife protection (11d) before use.

Switching on/off

1. Hold the product with one hand at the auxiliary handle (15) and with the other at the main handle (1).
2. Press the lock-off button (2) and hold it in position (Fig. 14, step 1).
3. Squeeze the on/off switch (3) to switch the product on (Fig. 14, step 2). Release the lock-off button afterwards.
4. Release the on/off switch (3) to switch the product off.



WARNING! Never attempt to lock the on/off switch (3) in its ON position!

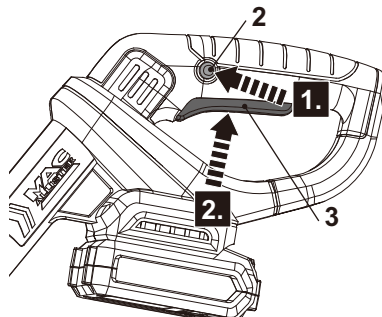


Fig. 14

General operation

1. Check the product, its battery pack and charger as well as accessories for damage before each use. Do not use the product if it is damaged or shows wear.
2. Double check that accessories or attachments are properly fixed.
3. Always hold the product by its handles. Keep the handles dry to ensure safe support.
4. Ensure that the air vents are always unobstructed and clear. Clean them if necessary with a soft brush. Blocked air vents may lead to overheating and damage the product.
5. Switch the product off immediately if you are disturbed while working by other people entering the working area. Always let the product come to complete stop before putting it down.
6. Do not overwork yourself. Take regular breaks to ensure you can concentrate on the work and have full control over the product.

Trimming

1. Make sure that the knife protector (11d) is removed, the plant protector (12) is pulled out and the battery pack (16) is assembled before operation.
2. Adjust the main handle (1) angle to 0° for trimming.
3. Hold the product firmly with a gap between the product and your right side.
4. Stand upright, do not lean forward and pay attention to posture. Keep both feet apart to help retain your balance.
5. Hold the trimmer head (13) just above the ground at an angle of approximately 30° (Fig. 15).
6. Move the product with a slow regular arc from left to right before moving it back to the starting position before trimming the next area (Fig. 16).



Fig. 15

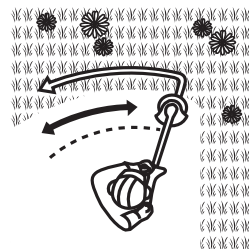


Fig. 16

7. Ensure the cutting device remains clean and free from off-cuts that may cause it to jam. Check regularly. Release the on/off switch (3) and remove the battery pack before checking.
8. Trim longer grass in stages; do not cut long grass in one cut (Fig. 17). For the best results, cut longer grass in steps (Fig. 18).

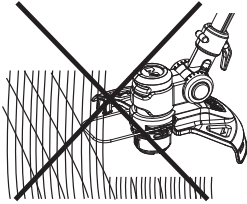


Fig. 17

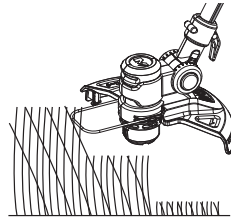


Fig. 18

General operation

1. Make sure that the knife protector (11d) is removed, the plant protector (12) is pulled out and the battery pack (16) is assembled before operation
2. Adjust the main handle (1) angle to 90° or 180° for edging (Fig. 19).

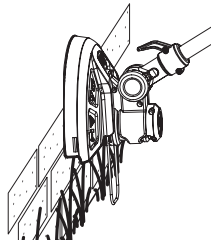


Fig. 19

Tips

1. For best results, do not cut wet grass because it tends to stick to the cutting head and guard, prevents proper discharge of grass trimmings, and could cause you to slip and fall.
2. Do not allow the spool cover to drag on the ground or other surfaces.
3. Pay special attention when performing the work close to trees and bushes. The cutting head could damage sensitive bark, and damage fence posts.
4. Pull the plant protector out to avoid bringing the cutting device into contact with hard objects such as walls and kerbstones (Figs. 20, 21).

Tips

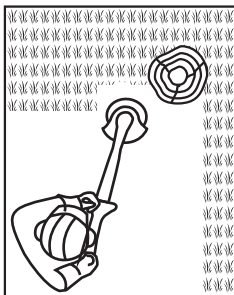


Fig. 20

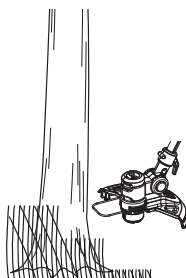


Fig. 21



NOTE: The trimming line will wear faster and require more replacement if cutting is done along sidewalks or other abrasive surfaces or heavier weeds are being cut.



NOTE: While trimming, the cutting device is possible to be blocked by grass or uneven ground. So the product will turn off automatically due to over current. Therefore release the on/off switch for over 3s and then press down again to go on with trimming.

Line feeding

During use, the tip of the trimming line will get shorter due to wear and the trimming line may break. Regularly check the condition of the trimming line (13d) and adjust if necessary.



WARNING! Always switch the product off, remove the battery pack and let the product cool down before performing inspection, maintenance and cleaning work!



NOTE: This product is equipped with an auto-feed head. Do not bump the trimmer head on the ground as this would damage the product.

Manual feeding

1. Turn trimmer head (13) upside down.
2. Press the release push button (13g) while pulling on the trimming line (13d). The trimming spool (13c) will release the trimming line (Fig. 22).

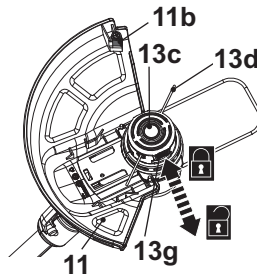


Fig. 22

3. Repeat until the worn part of the trimming line (13d) exceeds the distance to the knife (11b).
4. Attach the battery pack and use the product as described. Excess line will be cut by the knife (11b) and should always remain inside the radius of the guard (11).



WARNING! The trimming line will be thrown out! Danger of injury especially for bystanders!



Auto-feeding

1. With the product running, release on/off switch (3) to let it stop completely.
2. Press the lock-off button (2) and on/off switch (3) to start the product.



NOTE: The trimming line will extend about 3-5 mm with each stop and start until the line reach the length of the knife. Avoid stop and start frequently as the trimming line may auto-feed unintentionally and causes waste a lot of line.

After use

1. Switch the product off, remove the battery back and let it cool down.
2. Attach the knife protector (11d) if necessary.
3. Check, clean and store the product as described below.

The golden rules for care



WARNING! Always switch the product off, remove the battery pack and let the product cool down before performing inspection, maintenance and cleaning work!

1. Keep the product clean. Remove debris from it after each use and before storage.
2. Regular and proper cleaning will help ensure safe use and prolong the life of the product.
3. Inspect the product before each use for worn and damaged parts. Do not operate it if you find broken and worn parts.



WARNING! Only perform repairs and maintenance work according to these instructions! All further works must be performed by a qualified specialist!

General Cleaning

1. Clean the product with a damp cloth and pH-neutral soap. Use a brush for areas that are hard to reach.
2. Remove stubborn dust with high pressure air (max. 3 bar).



NOTE: Do not use chemical, alkaline, abrasive or other aggressive detergents or disinfectants to clean this product as they might be harmful to its surfaces.

3. Check for worn or damaged parts. Replace worn parts as necessary or contact an authorised service centre for repair before using the product again.

Guard

1. Keep the guard (11) clean and free of debris. Remove trimmings.
2. Replace the guard (11) with one of the same type when it is worn or shows damage.

Trimming line

Replace the trimming spool

Replace the line spool when it is empty or worn.

1. Turn the product upside down to access the trimming line.
2. Hold the trimmer head (13) steady with one hand. Press the release latches (13b) on both sides, then lift the cover (13a) and remove it (Fig. 23).
3. Remove the spool (13c) from the housing (13e) (Fig. 24).

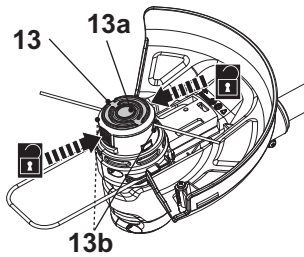


Fig. 23

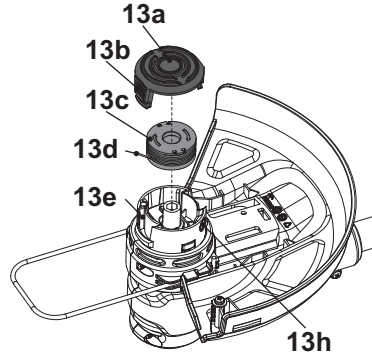


Fig. 24

4. Clean the housing (13e) before inserting a new spool (13c) of the same type.
5. Pull the line from the new spool for a length of approx. 13 cm.
6. Release the trimming line (13d) from the notches and hold it in position. Avoid the trimmer line (13d) scattered from the trimming spool (13c) (Fig. 25, Step 1).
7. Lead the trimming line (13d) ending through the eyelet (13h) of the housing (13e) (Fig. 25, Step 2).
8. Insert the trimming spool (13c) into the housing (13e) (Fig. 25, Step 3). Twist the trimming spool (13c) until it locks into place.

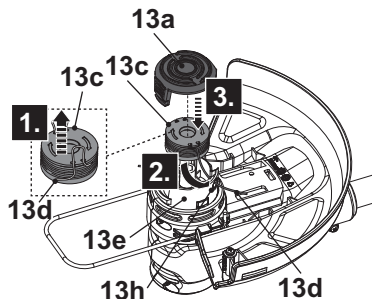


Fig. 25

9. Refit the cover (13a) and make sure it snaps into place.

Refill the trimming line in trimming spool

1. Turn the product upside down to access the trimming line.

Trimming line

2. Hold the trimmer head (13) steady with one hand. Press the release latches (13b) on both sides to remove the cover (13a).
3. Remove the trimming spool (13c) from the housing (13e).
4. Discard all the remaining line (13d) from the trimming spool (13c).
5. Clean the housing (13e) and the trimming spool (13c).
6. Cut a new 4 m long trimming line with a diameter of 1.6 mm.
7. Lead one end of the new trimming line (13d) through the small eyelet on the trimming spool (13c) in direction of the arrows (Fig. 26). Fig. 26
8. Wind all the trimming line (13d) firmly around the spool in direction of the arrows on the trimming spool (13c) (Fig. 27).

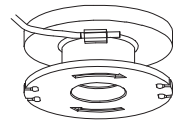


Fig. 26

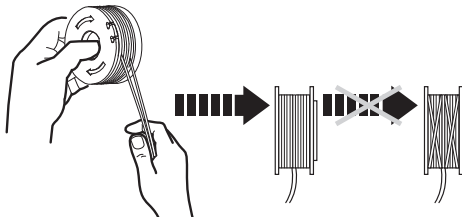


Fig. 27

Spare parts/Replacement parts

Spare parts are available at an authorised dealer or through our customer service.

Repair

This product does not contain any parts that can be repaired by the consumer. Contact an authorised service centre or a similarly qualified person to have it checked and repaired.

Storage

1. Switch the product off and remove the battery pack.
2. Clean the product as described above.
3. Push the plant protector (12) in if necessary.
4. Store the product and its accessories in a dark, dry, frost-free, well-ventilated place.

5. Always store the product in a place that is inaccessible to children. The ideal storage temperature is between 10 °C and 30 °C.
6. We recommend using the original package for storage or covering the product with a suitable cloth or enclosure to protect it against dust.

Transportation

1. Switch the product off and remove the battery pack.
2. Attach the knife protector (11d) if necessary.
3. Push the plant protector (12) in if necessary.
4. Always carry the product by its handles (1, 15).
5. Protect the product from any heavy impact or strong vibrations which may occur during transportation in vehicles.
6. Secure the product to prevent it from slipping or falling over

Troubleshooting

Suspected malfunctions are often due to causes that the users can fix themselves.

Therefore check the product using this section. In most cases the problem can be solved quickly.



WARNING! Only perform the steps described within these instructions! All further inspection, maintenance and repair work must be performed by an authorised service centre or a similarly qualified specialist if you cannot solve the problem yourself!

Problem	Possible cause	Solution
1. Product does not start	1.1. Battery pack not properly attached 1.2. Battery pack discharged 1.3. Battery pack damaged 1.4. Other electrical defect to the product	1.1. Attach properly 1.2. Remove and charge battery pack 1.3. Replace with a new one of the same type 1.4. Check by a specialist electrician
2. Product does not reach full power	2.1. Battery pack capacity too low 2.2. Fan opening is blocked	2.1. Charge battery pack 2.2. Clean the fan opening
3. Unsatisfactory result	3.1. Trimming line is worn / damaged	3.1. Replace with a new one

Troubleshooting

Problem	Possible cause	Solution
4. Excessive vibration or noise	4.1. Trimmer head is damaged 4.2. Bolts/nuts are loose 4.3. Trimming line is worn/damaged	4.1. Replace with a new one 4.2. Tighten bolts/nuts 4.3. Replace with a new one

Recycling and disposal



Waste electrical products should not be disposed of with household waste. Please recycle where facilities exist. Check with your Local Authority or local store for recycling advice.

For further information visit www.recycle-more.co.uk.

The product comes in a package that protects it against damage during shipping. Keep the package until you are sure that all parts have been delivered and the product is working properly. Recycle the package afterwards.

Disposal of an exhausted battery pack



The battery is Li-Ion type. To preserve natural resources, please recycle or dispose of the battery pack properly. Consult your local waste authority for information regarding available recycling and / or disposal options.

Discharge your battery pack by operating your tool, then remove the battery pack from the tool and cover the battery pack connections with heavy duty adhesive tape to prevent short circuit and energy discharge.

Do not attempt to open or remove any of the components.

Guarantee

We take special care to select high quality materials and use manufacturing techniques that allow us to create products incorporating design and durability. This product has a manufacturer's guarantee of 2 years against manufacturing defects, from the date of purchase (if bought in store) or date of delivery (if bought online), at no additional cost for normal (non-professional or commercial) household use.

To make a claim under this guarantee, you must present your proof of purchase (such as a sales receipt, purchase invoice or other evidence admissible under applicable law), please keep your proof of purchase in a safe place. For this guarantee to apply, the product you purchased must be new, it will not apply to second hand or display products. Unless stated otherwise by applicable law, any replacement product issued under this guarantee will only be guaranteed until expiry of the original period guarantee period.

This guarantee covers product failures and malfunctions provided the product was used for the purpose for which it is intended and subject to installation, cleaning, care and maintenance in accordance with the information contained in these terms and conditions, in the user manual and standard practice, provided that standard practice does not conflict with the user manual.

This guarantee does not cover defects and damage caused by normal wear and tear or damage that could be the result of improper use, faulty installation or assembly, neglect, accident, misuse, or modification of the product. Unless stated otherwise by applicable law, this guarantee will not cover, in any case, ancillary costs (shipping, movement, costs of uninstalling and reinstalling, labour etc), or direct and indirect damage.

Rights under this guarantee are enforceable in the country in which you purchased this product. Guarantee related queries should be addressed to the store you purchased this product from.

The guarantee is in addition to and does not affect your statutory rights.

Manufacturer:

Kingfisher International Products Limited
3 Sheldon Square, W26PX London United Kingdom
www.kingfisher.com/products

Guarantee

Distributor:

B&Q plc

Chandlers Ford, Hants, SO53 3LE, United Kingdom

www.diy.com

Screwfix Direct Limited

Trade House, Mead Avenue, Yeovil, BA22 8RT, United Kingdom

www.screwfix.com

In more detail...

Technical specifications

General

> Rated voltage	: 18 V ---
> Rated no load speed n_0	: 9500 min^{-1}
> Cutting width	: 25 cm
> Trimming line	: Non-metallic, \varnothing 1.6 mm, length 4 m
> Protection class	: III
> Weight	: approx. 1.75 kg (without battery pack)
> Dimensions	: approx. 730 x 350 x 870-1010) mm

Battery pack

> Model no.	: MBAT18-2
> Type	: Li-Ion, 5 x 3.6 V ---
> Capacity	: 2000 mAh
> Voltage	: 18 V ---
> Weight	: approx. 0.39 kg

Charger for battery pack

> Model no.	: MC18
> Rated output	: 21.4V d.c., 1 A

Usable battery pack (sold separately)

> Model no.	: MBAT18-4	MBAT18-5	MDVB36-4
> Capacity	: 4000 mAh	5000 mAh	8000 mAh

Usable charger (sold separately)

> Model no.	: MFC18	MFC36
> Rated output	: 21.4V d.c., 4 A	21 V d.c., 8 A

Ambient temperature range for charger and battery use 5 °C to 40 °C

> Sound values	
> Sound pressure level at operator's position L_{pA} as lawn trimmer	: 72 dB(A)
> Uncertainty K_{pA}	: 3 dB(A)
> Sound pressure level at operator's position L_{pA} as lawn edge trimmer	: 72 dB(A)
> Uncertainty K_{pA}	: 3 dB(A)
> Measured sound power level L_{WA} as lawn trimmer	: 86.2 dB(A)
> Uncertainty K_{WA}	: 2.5 dB(A)

Technical specifications

> Measured sound power level L_{WA}	
as lawn edge trimmer	: 87.6 dB(A)
>Uncertainty K_{WA}	: 3.1 dB(A)
Hand arm vibration values	: 2.8 m/s ²
>Uncertainty K	: 1.5 m/s ²

The sound values have been determined according to noise test code given in EN 50636-2-91, using the basic standards EN ISO 11201 and EN ISO 3744. The sound intensity level for the operator may exceed 80 dB(A) and earprotection measures are necessary.

The declared vibration value has been measured in accordance with a standard test method (according to EN 50636-2-91) and may be used for comparing one product with another. The declared vibration value may also be used in a preliminary assessment of exposure.



WARNING! Depending on the actual use of the product the vibration values can differ from the declared total. Adopt proper measures to protect yourself against vibration exposures. Take the whole work process including times the product is running under no load or switched off into consideration.

Proper measures include among others regular maintenance and care of the product and accessories, keeping hands warm, periodical breaks and proper planning of work processes.

Rating label explanation

Grass Trimmer: MGT1825-Li

M = MAC Allister

GT = Grass trimmer

18 = Rated voltage (V)

25 =Cutting width (cm)

Li = Lithium-Ion

Battery pack: MBAT18-2

M = MAC Allister

BAT= Battery

18 = Battery output voltage (V)

2 = Battery capacity (2000 mAh)

Charger: MC18

NM = MAC Allister

C = Charger

18 = Battery output voltage (V)

Declaration of conformity

In more detail...



Manufacturer, Fabricant, Producător, Producător, Fabricante:

UK Manufacturer:

Kingfisher International Products Limited
3 Sheldon Square, London, W2 6PX
United Kingdom
www.kingfisher.com/products

EU Manufacturer:

Kingfisher International Products B.V.
Rapenburgerstraat 175E
1011 VM Amsterdam
The Netherlands
www.kingfisher.com/products

EN

www.diy.com
www.screwfix.com
www.screwfix.ie

To view instruction manuals online, visit
www.kingfisher.com/products

FR

www.castorama.fr
www.bricodepot.fr

Pour consulter les manuels d'instructions en ligne,
rendez-vous sur le site www.kingfisher.com/products

PL

www.castorama.pl

Aby zapoznać się z instrukcją obsługi online, odwiedź
stronę www.kingfisher.com/products

ES

www.bricodepot.es

Para consultar los manuales de instrucciones en línea,
visite www.kingfisher.com/products

PT

www.bricodepot.pt

Para consultar manuais de instruções online, visite
www.kingfisher.com/products

RO

www.bricodepot.ro

Pentru a consulta manualele de instrucțiuni online, vizitați
www.kingfisher.com/products

TR

www.koctas.com.tr

Kullanım kılavuzuna internet üzerinden ulaşmak için
www.kingfisher.com/products adresini ziyaret edin